

unidirectional motor - series XV

XV-2U

STANDARD EUROPEAN MOTOR
ø36.5 FLANGE - TAPER SHAFT

X 2 U 51 02 E C B A

Series	X	series XV
Group	2	group 2
Category	U	unidirectional motor
Displacement	51	17
Flange	02	Ø36.5 STANDARD EUROPEAN right rotation
Shaft	E	CO001 - Tapered 1:8 - ø17.4 - M12x1.5 - key thk.4
Body	IN	inlet - 3/4" GAS
	OUT	outlet - 1/2" GAS
Cover	A	standard



XU207

Technical data table

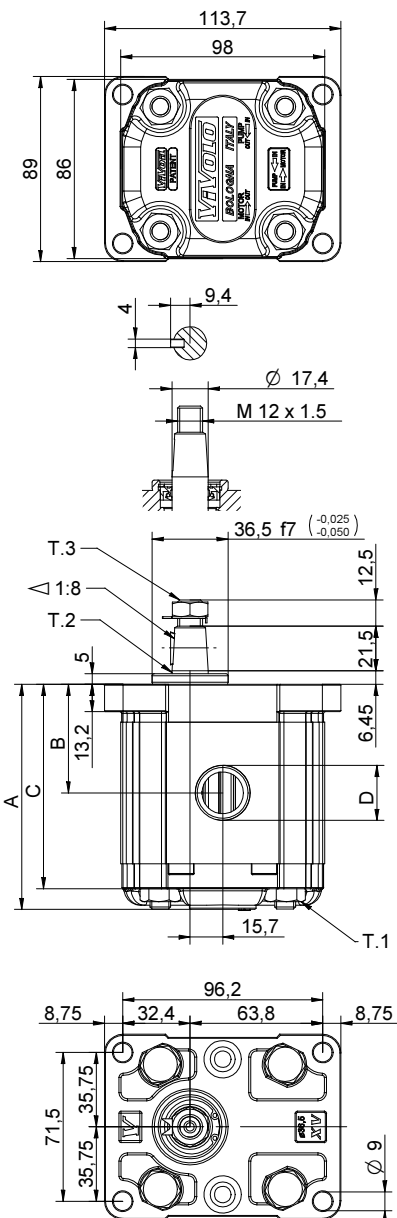
TYPE	Displacement cm3/rev	Max. Pressure		CODE	
		P1 bar	P3 bar	Left rotation	Right rotation
XV-2U/04	4,20	260	300	X 2 U 41 01 E B B A	X 2 U 41 02 E B B A
XV-2U/06	6,00	260	300	X 2 U 43 01 E B B A	X 2 U 43 02 E B B A
XV-2U/09	8,40	260	300	X 2 U 45 01 E B B A	X 2 U 45 02 E B B A
XV-2U/11	10,80	260	300	X 2 U 47 01 E B B A	X 2 U 47 02 E B B A
XV-2U/14	14,40	250	290	X 2 U 49 01 E C B A	X 2 U 49 02 E C B A
XV-2U/17	16,80	230	270	X 2 U 51 01 E C B A	X 2 U 51 02 E C B A
XV-2U/19	19,20	210	250	X 2 U 53 01 E C B A	X 2 U 53 02 E C B A
XV-2U/22	22,80	200	240	X 2 U 55 01 E C B A	X 2 U 55 02 E C B A
XV-2U/26	26,20	170	210	X 2 U 57 01 E D C A	X 2 U 57 02 E D C A
XV-2U/30	30,00	160	200	X 2 U 59 01 E D C A	X 2 U 59 02 E D C A
XV-2U/34	34,20	150	190	X 2 U 61 01 E D C A	X 2 U 61 02 E D C A
XV-2U/40	39,60	140	180	X 2 U 63 01 E D C A	X 2 U 63 02 E D C A

P1) Max. working pressure - P3) Max. peak pressure

For heavy-duty applications, it is recommended to check the admissible torque of the shaft

Dimensions table

TYPE	Weight kg	A	B	C	D	D
		mm	mm	mm	IN	OUT
XV-2U/04	2,200	87,2	41,7	77,2	1/2" BSPP	1/2" BSPP
XV-2U/06	2,300	90,2	43,2	80,2	1/2" BSPP	1/2" BSPP
XV-2U/09	2,400	94,2	45,2	84,2	1/2" BSPP	1/2" BSPP
XV-2U/11	2,500	98,2	47,2	88,2	1/2" BSPP	1/2" BSPP
XV-2U/14	2,700	104,2	50,2	94,2	3/4" BSPP	1/2" BSPP
XV-2U/17	2,800	108,2	52,2	98,2	3/4" BSPP	1/2" BSPP
XV-2U/19	2,900	112,2	54,2	102,2	3/4" BSPP	1/2" BSPP
XV-2U/22	3,050	118,2	57,2	108,2	3/4" BSPP	1/2" BSPP
XV-2U/26	3,150	122,2	59,2	112,2	1" BSPP	3/4" BSPP
XV-2U/30	3,400	130,2	63,2	120,2	1" BSPP	3/4" BSPP
XV-2U/34	3,600	137,2	66,7	127,2	1" BSPP	3/4" BSPP
XV-2U/40	3,800	146,2	71,2	136,2	1" BSPP	3/4" BSPP



26/08/04 XZPS10ZETBA.dft

T.1 = 54÷58.9 [Nm] - screw tightening torque M10

T.3 = 40 [Nm] - torque wrench setting 19

T.2 = 233.2 [Nm] - admissible shaft torque (N.B. When choosing a shaft, always check the admissible torque).

Table of variations

XV-2U

ø36.5 FLANGE

ø36.5 FLANGE				Shaft				Cover			
Left rotation		Right rotation						Left rotation		Right rotation	
	01		02	CI001 - Parallel T.2 = 44.1 [Nm]	A	CI002 - Parallel T.2 = 67.5 [Nm]	B				A
	03		04	CO001 - Tapered T.2 = 233.2 [Nm]	E	CO002 - Tapered T.2 = 233.2 [Nm]	F				B
	05		06	SCF02 - Splined T.2 = 86.1 [Nm]	G	SCF03 - Splined T.2 = 86.1 [Nm]	H				C
	07		08	SCF04 - Splined T.2 = 67.1 [Nm]	I	SCF01 - Splined T.2 = 86.2 [Nm]	L				D
											N
											O

Displacement	
TYPE	CODE
XV-2U/04	41
XV-2U/06	43
XV-2U/09	45
XV-2U/11	47
XV-2U/14	49
XV-2U/17	51
XV-2U/19	53
XV-2U/22	55
XV-2U/26	57
XV-2U/30	59
XV-2U/34	61
XV-2U/40	63

Standard bodies						
Displacement cm ³ /rev	Standard threads					
	4	O - O	S - R	B - B	L - M	Z - Z
6	O - O	S - R	B - B	L - M	Z - Z	Z - Z
9	O - O	S - R	B - B	L - M	Z - Z	Z - Z
11	O - O	S - R	B - B	L - M	Z - Z	Z - Z
14	P - O	S - R	C - B	L - M	Z - Z	Z - Z
17	P - O	S - R	C - B	L - M	Z - Z	Z - Z
19	P - O	S - R	C - B	L - M	Z - Z	Z - Z
22	P - O	S - R	C - B	L - M	Z - Z	Z - Z
26	Q - P	S - R	D - C	L - M	Z - Z	Z - Z
30	Q - P	S - S	D - C	L - M	Z - Z	Z - Z
34	Q - P	S - S	D - C	L - M	Z - Z	Z - Z
40	Q - P	S - S	D - C	L - M	Z - Z	Z - Z

Table showing standard flange and thread combinations available in stock

Body (threads/flanges)													
	A		B		C		D		E		F		G
	H		I		L		M		N		O		P
	Q		R		S		T		U		V		Z